

FGN08 Series

PHOTOELECTRIC SENSOR



Safety Warning

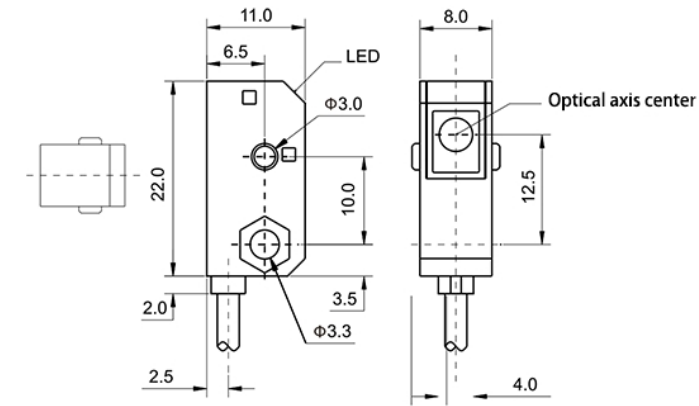
- Do not use in an environment with flammable, explosive or corrosive gases.
- Do not use in an environment with oil or chemicals.
- Do not use in an environment with high humidity.
- Do not use in direct sunlight.
- Do not use under other environmental conditions that exceed the rated value.
- Do not disassemble, repair or modify the product without permission.

End-of-life Disposal

When the product is disposed of, please dispose of it as industrial waste.

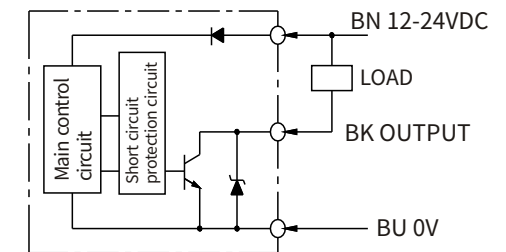
Specification

Model	NPN.NO	FGN08-10N	FGN08-50NT	FGN08-100NT	FGN08-150NT
	PNP.NO	FGN08-10P	FGN08-50PT	FGN08-100PT	FGN08-150PT
Detection type	diffuse reflection	Through beam			
Detection distance	100mm	0.5m	1.0m	1.5m	
Test object	-	4mm diameter opaque object			
Connection method	3-core cable diameter 2.5mm				
supply voltage	12-24VDC				
light source	940nm infrared modulated light				
control output	NPN.NO/PNP.NO				
sensitivity modulation	One circle adjustable	-			
Maximum output distance	50mA				
Consumption current	<25mA				
reaction time	<1ms				
Reverse polarity protection of power supply	built-in				
Short circuit protection	none				
Hysteresis	20%	-			
Environmental temperature and humidity	-25°C~55°C/35%~85% relative humidity				
Ambient Light	daylight:10,000lx,lighting:3,000lx				
Ambient Light	IP54				
size	8x11x32.5mm	8x11x22mm			
Housing material	PC Engineering Plastics				

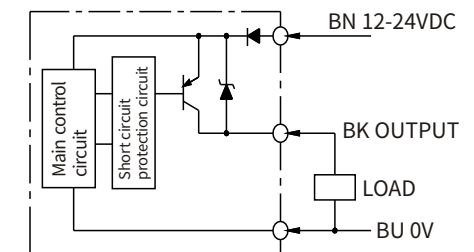


FGN08 Through beam type

Wiring Diagram

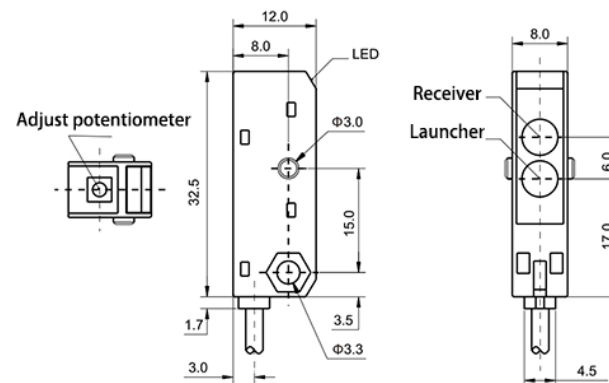


NPN Output



PNP Output

Dimensions



FGN08 diffuse reflection type

Product specifications are subject to change without notice.
For more information or if you have any questions or suggestions about this product, please feel free to contact us.